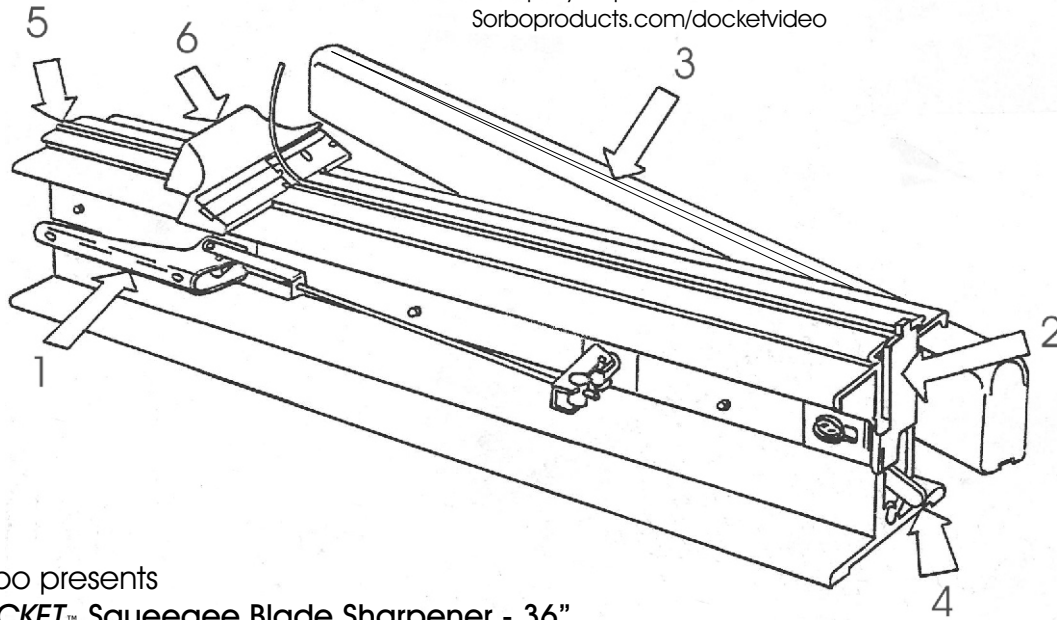




THE SQUEEGEE BLADE SHARPENER TRIMMER



Visit step-by-step instructions online at
SorboProducts.com/docketvideo

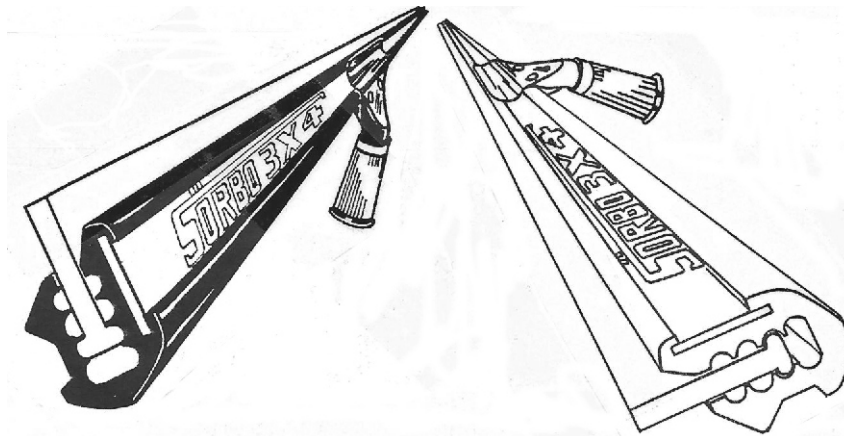


- 1 Handle
- 2 Stop
- 3 Level Stop
- 4 Adjustment Handle
- 5 Top Guides
- 6 Trimmer

Sörbo presents
DOCKET™ Squeegee Blade Sharpener - 36"

THE *DOCKET™* WILL REDUCE YOUR SQUEEGEE RUBBER COSTS!

DOCKET™ sharpens most squeegee rubber on the market. However, to sharpen your blade up to 12 times, it is necessary to use Sörbo 3x4 Adjustable Squeegee.



*** Please see instructions at www.sorboproducts.com/tipsntricks.html- "Using the Docket!".***

Instructions-

1. Keep the *DOCKET™* in a clean, dry place.
2. Always protect the two guides from being damaged.
3. Lubricate the two top guides by applying WD-40 on a cloth and wipe it on. Be careful that you do not lubricate the ridged part between the two guides- just apply on top of the guides. Lubricate after every 50 trimmings.
4. Also apply oil on the Lifters and Handle for longer wear.

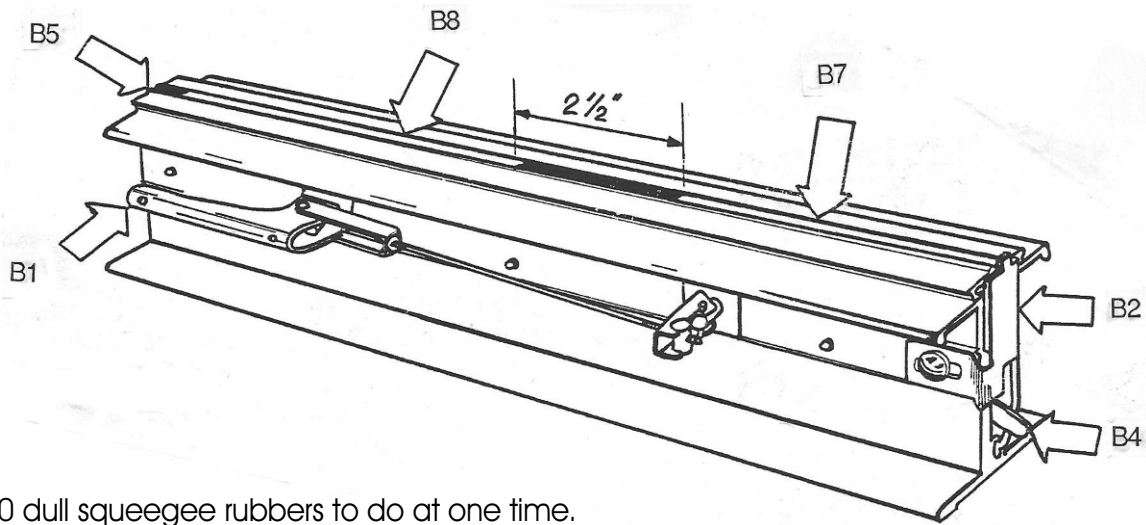


Figure B

Save 10 to 20 dull squeegee rubbers to do at one time.

PLACE THE *DOCKET™* ON A SOLID WORK BENCH OR TABLE. Prevent it from sliding by placing the end against the wall or a stop. Operate the *DOCKET™* by standing with the handle away from you (see below).

STEP 1 Open the handle (B1) and insert the dull squeegee rubber in the *DOCKET™* all the way toward the stop (B2). **IMPORTANT! SQUEEGEE RUBBER MUST LEAN AGAINST THE STOP!**

STEP 2 By moving the adjustment handle (B4) up or down, adjust the squeegee rubber by keeping **EVEN OR LOWER** with the top of the top guides (B5) and close the handle (B1).

* If a squeegee rubber shorter than the *DOCKET™* is being sharpened (B7), a second squeegee rubber (B8) must be placed in the opposite end to prevent the *DOCKET* from bending which will result in the squeegee rubber slipping up between the two top guides. Leave enough space in between for the *TRIMMER* about 2 1/2". The second squeegee rubber (B8) must be the same height or lower than the (B7) rubber to be trimmed.

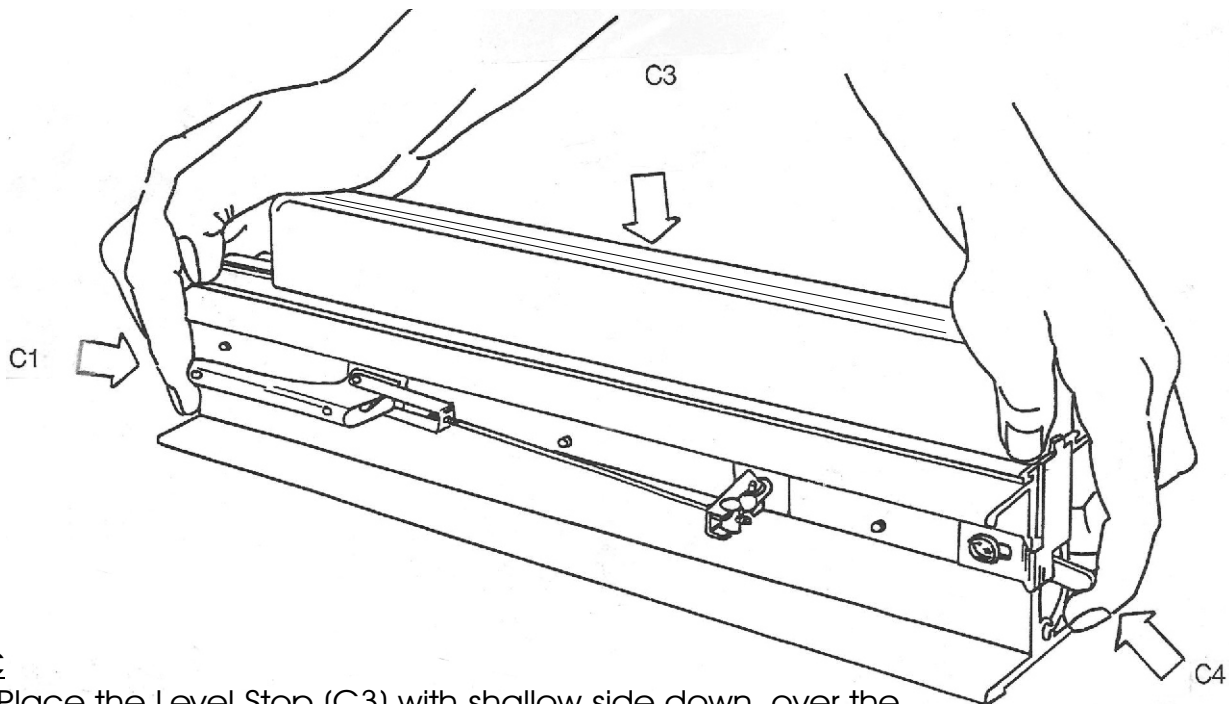


Figure C

STEP 3 Place the Level Stop (C3) with shallow side down, over the squeegee rubber so it is resting on top of the two guides. If not, open handle and lower the squeegee rubber in the *DOCKET™*.

STEP 4 Standing behind the *DOCKET*, place your hands on each end of the Level Stop (C3) and lean on it to secure it in this position. At the same time, place your left hand index finger under the ADJUSTMENT HANDLE (C4) and pull it UP. Keeping this position, open the handle (C1) with your right hand index finger. Pull the ADJUSTMENT handle upward (C4) a little harder and then close the handle (C1) with your Right index finger. Inspect to see if the rubber blade is a 32 of an inch above the top guide from end to end.

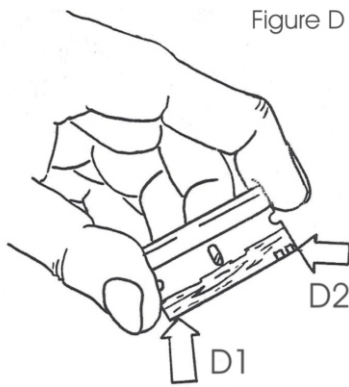


Figure D

STEP 5 USE Sörbo COATED RAZOR BLADES ONLY. Apply an even coating of wax provided, across the sharp edge (D1). This will wear off the wax each time the RAZOR BLADE IS USED and it is easy to determine the unused portion (D2). NEVER USE THE RAZOR BLADE TWICE IN EACH trimming position.

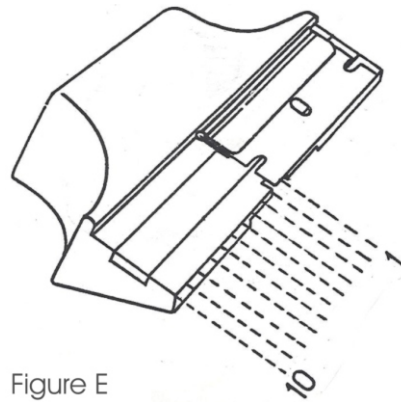


Figure E

Note:
Each blade
is good for
10 sharpenings
1 to 10

Figure E

STEP 6 Place the COATED UN-USED portion of the razor blade in the center of the Trimmer. The magnet will keep the razor blade in place and you can easily slide the razor blade sideways after each sharpening (Fig.E).

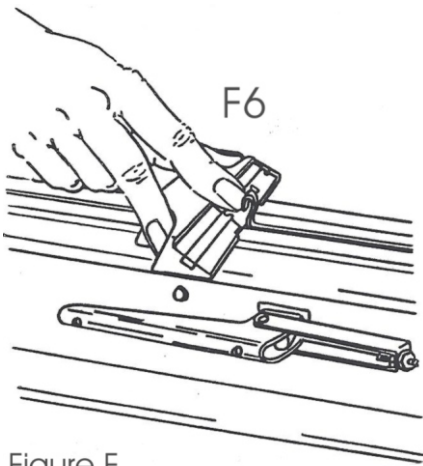


Figure F

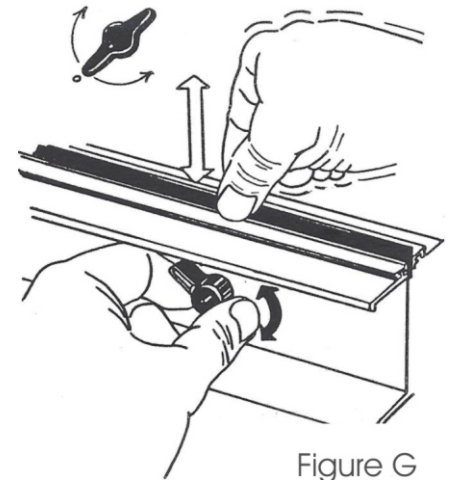
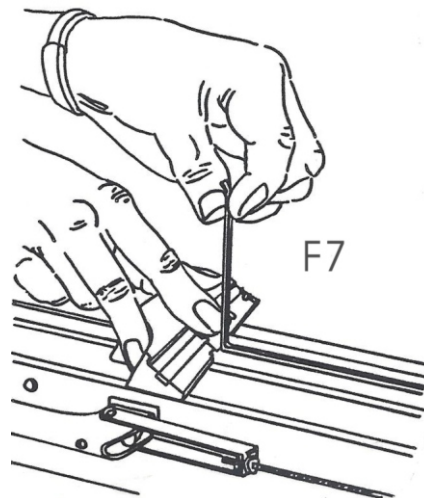


Figure G

Figure F

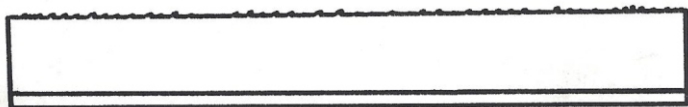
Place the TRIMMER (F6) up against the squeegee rubber to be sharpened. Make certain that an un-used portion of the Razor Blade is in the front of squeegee rubber. Hold the Trimmer with your thumb and middle finger as shown in Fig.F (F6), grasp it with your Left hand and stretch the rubber string straight up (F7). This way the friction is reduced and the Trimmer slides easily. For best results, do NOT stop the motion until reaching the stop, see page 1 (2 Stop). It is not unusual to develop a little hump at the beginning of the sharpened rubber. Do not worry, this does not reduce the performance of the squeegee rubber and it will become lower with practice. Rotate the rubber blade each time you sharpen it.

ADJUSTMENT

Each DOCKET™ is adjusted and tested at the factory. BEFORE ADJUSTING, read the TROUBLE SHOOTING page. If adjustment is necessary, do the following: (Fig. G)

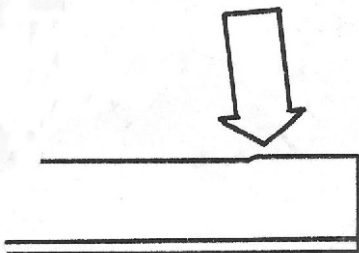
- 1- Insert full length squeegee rubber in the DOCKET™ . Leave about 3/8" above the top guides, enough to hold onto.
 - 2- Close handle. If too hard to close, unscrew the nuts 1/4 turn and try again.
 - 3- Adjusting: Start from handle, tighten the wing nut just enough so the squeegee rubber can be pulled up but not pushed down in between the top guides. Do this in line with each nut, DO NOT OVER-TIGHTEN the nut. The DOCKET™ and the nut should NOT be necessary to ADJUST MORE THAN 1/2 turn from matching mark. The nut should be snug.
- ** CAUTION **** OVER TIGHTENING the wing nut CAN DAMAGE the lifter emergency system on the upper side of the DOCKET™ . If this occurs, it is necessary to send the DOCKET™ to Sörbo for repairs.

TROUBLE SHOOTING



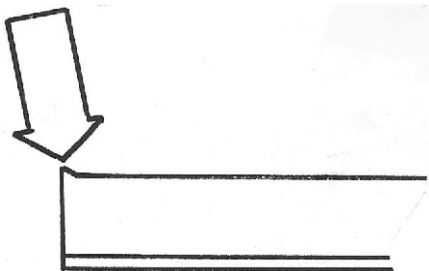
PROBLEM- Trimmer difficult to slide. The squeegee rubber looks like a roller coaster when sharpened... blade only.

SOLUTION- 1) The dull rubber still is NOT stretched hard enough. 2) Dull razor blade. 3) Wrong razor blade, use coated razor provided.



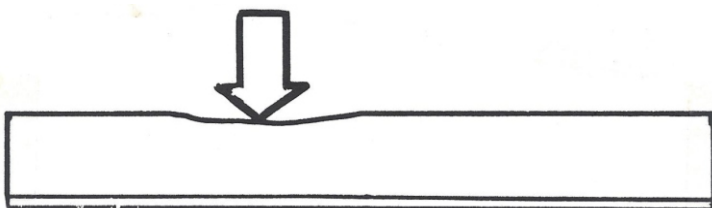
PROBLEM- A hump in the start of the sharpened rubber.

SOLUTION- This is not a problem. It does not reduce the performance of the squeegee rubber, with practice this can be reduced. Always move the trimmer as slowly as possible without stopping. Even out the hump by slowly accelerating the stretch for the first inch.



PROBLEM- The end of the sharpened squeegee rubber slopes up.

SOLUTION- The squeegee rubber is not properly placed against the stop. Realign, see instructions.



PROBLEM- Developed a dip in the squeegee rubber.

SOLUTION- 1) Squeegee rubber defective or thinner in that area. When you pull the dull rubber string straight up, you also pull the squeegee rubber out of the DOCKET™. This causes a deeper cut which results in a valley-like cut. See DOCKET™ Adjustment. 2) If this occurs, trim the rubber without the level stop next trimming so the dip is eliminated. 3) Forgot to place a second squeegee rubber in the DOCKET™ when sharpening a shorter squeegee rubber. Results in uneven pressure in between the two top guides, see instructions. Or 4) Over-tightening the wing nut on the side of the DOCKET™. In this case, the top guides will flare out between the wing nuts and the squeegee rubber will slide up, see instructions.

